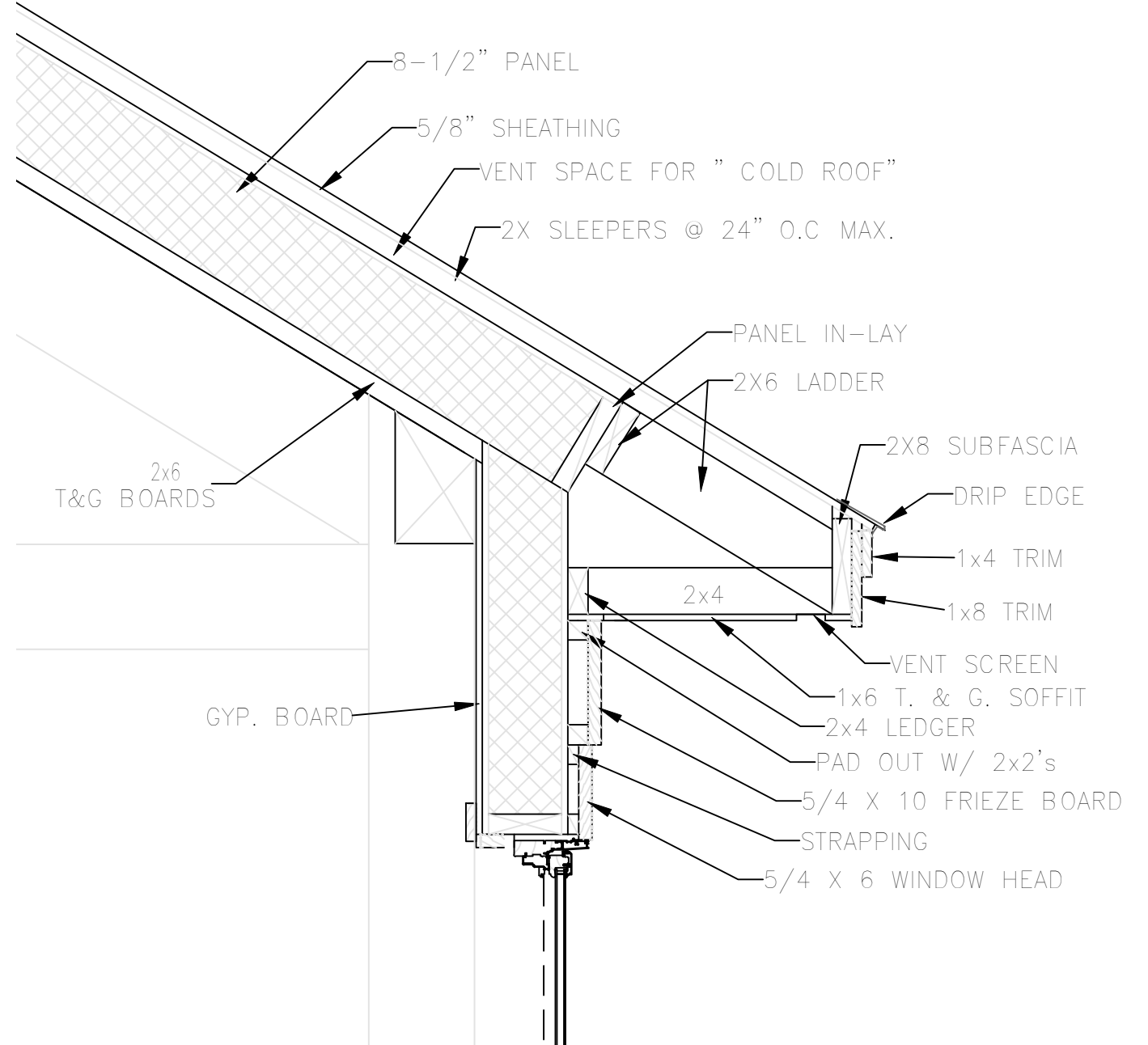
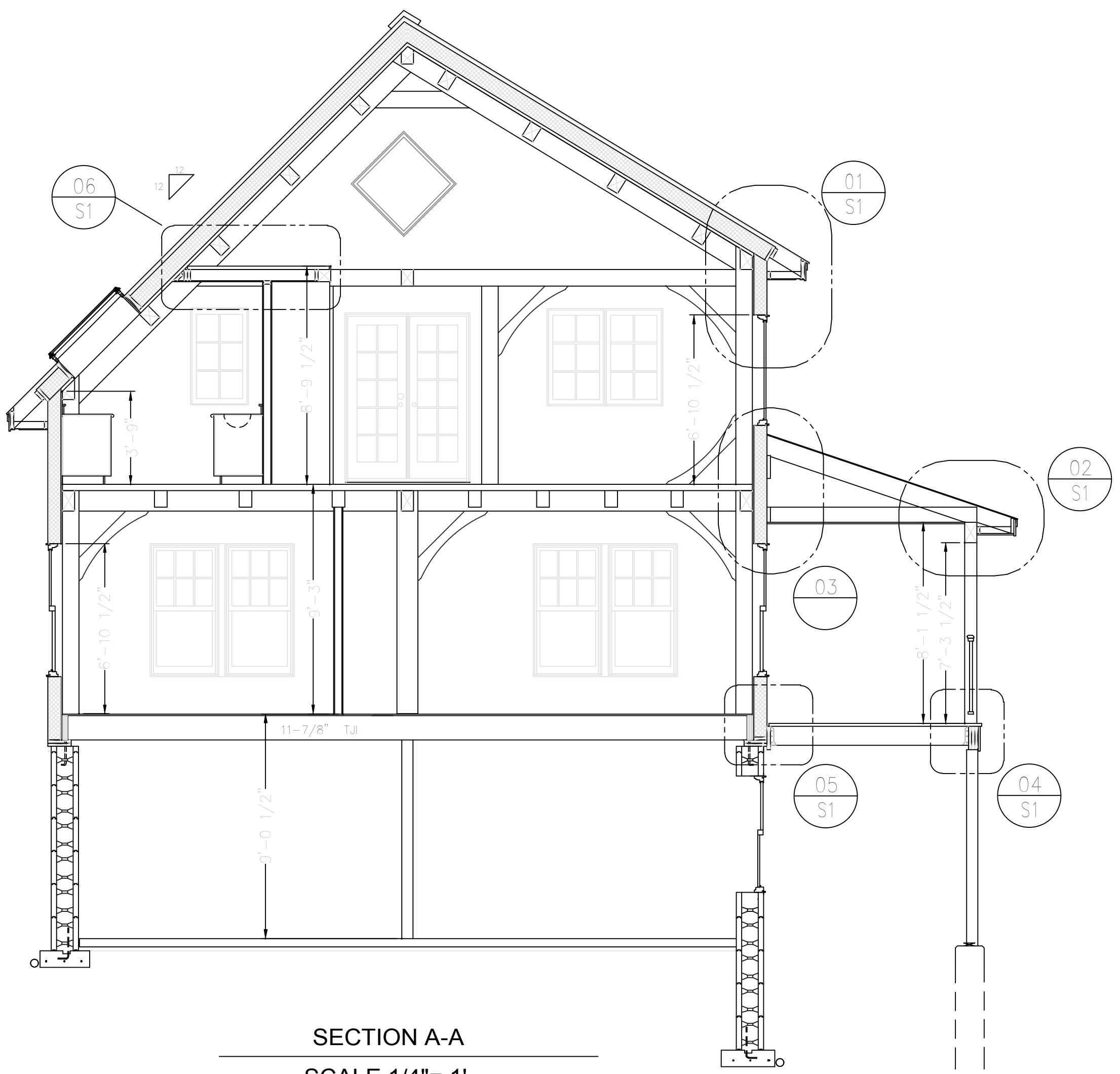


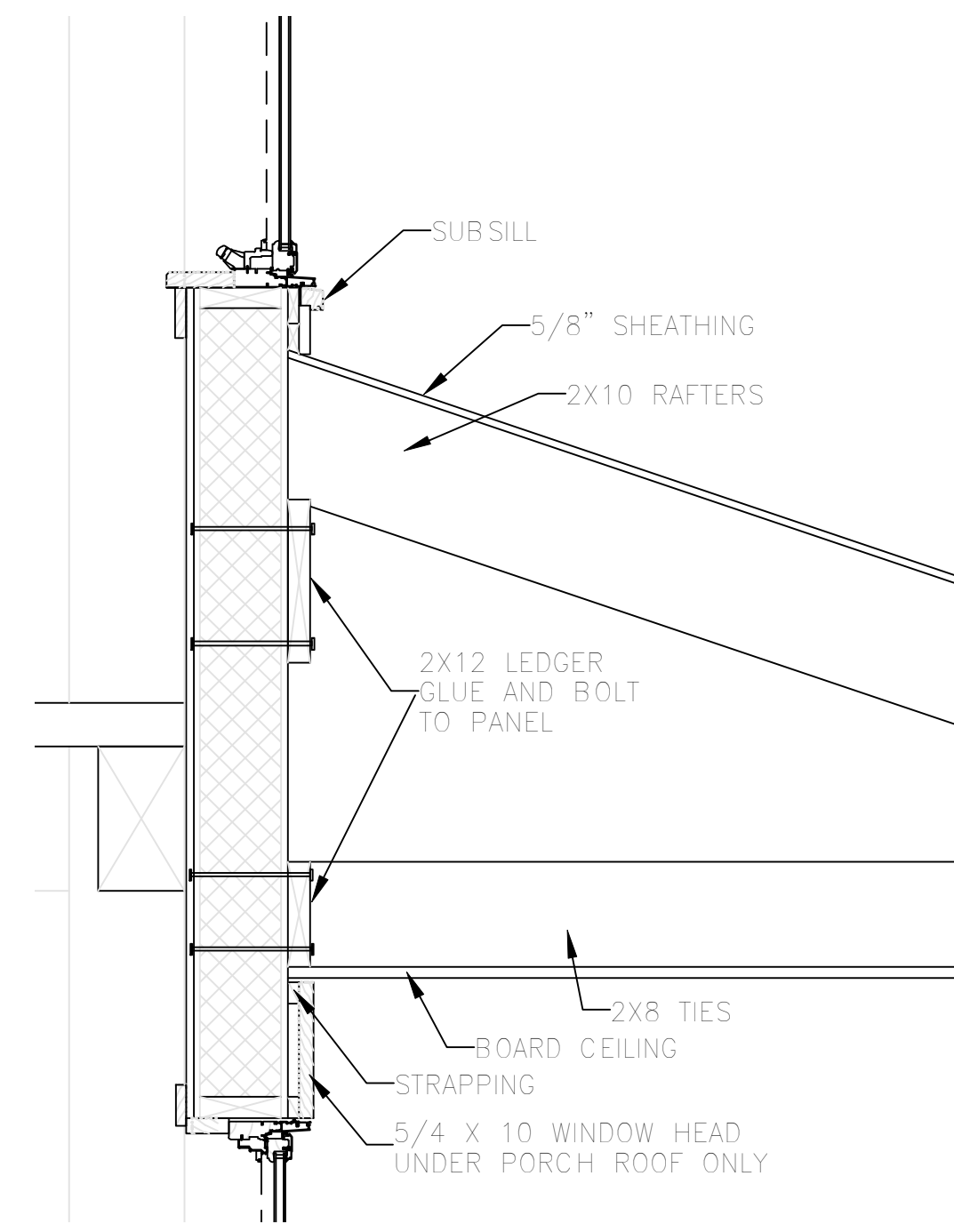
06
S1
MASTER BATH CEILING
SCALE 1"= 1'



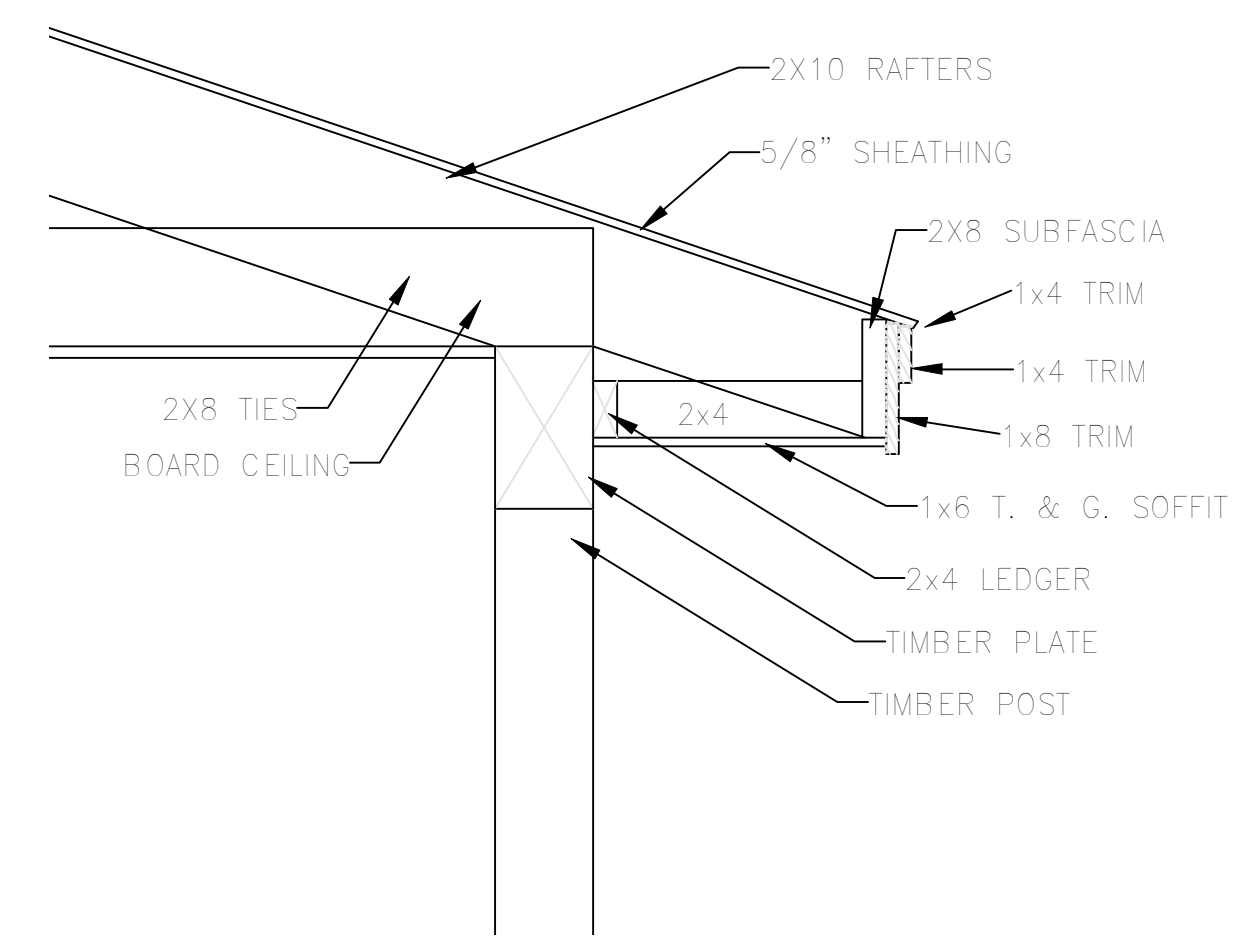
01
S1
TYPICAL EAVE
SCALE 1"= 1'



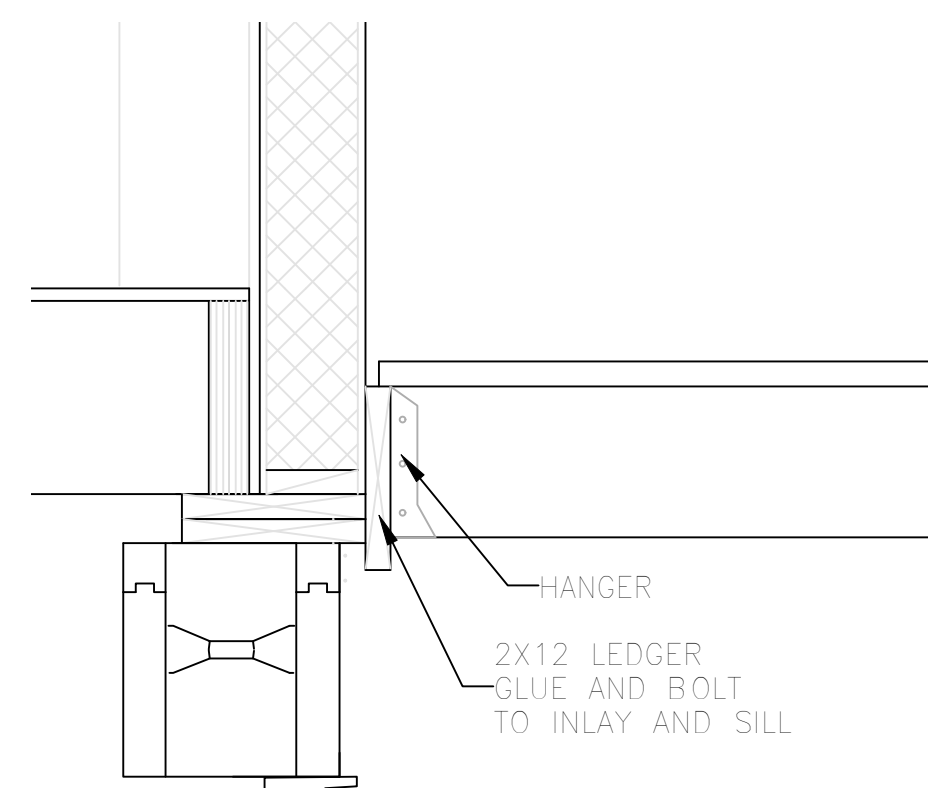
SECTION A-A
SCALE 1/4"= 1'



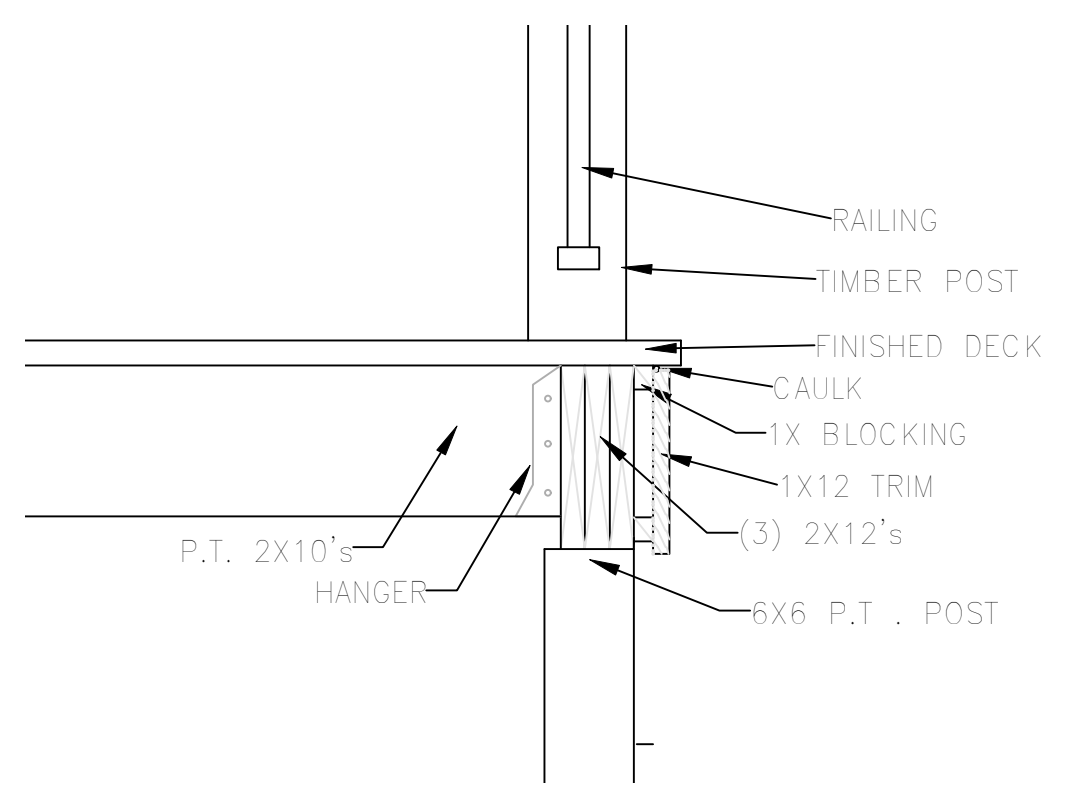
03
S1
PORCH ROOF
SCALE 1"= 1'



02
S1
TYPICAL PORCH EAVE
SCALE 1"= 1'



05
S1
PORCH FLOOR
SCALE 1"= 1'



04
S1
PORCH FLOOR
SCALE 1"= 1'