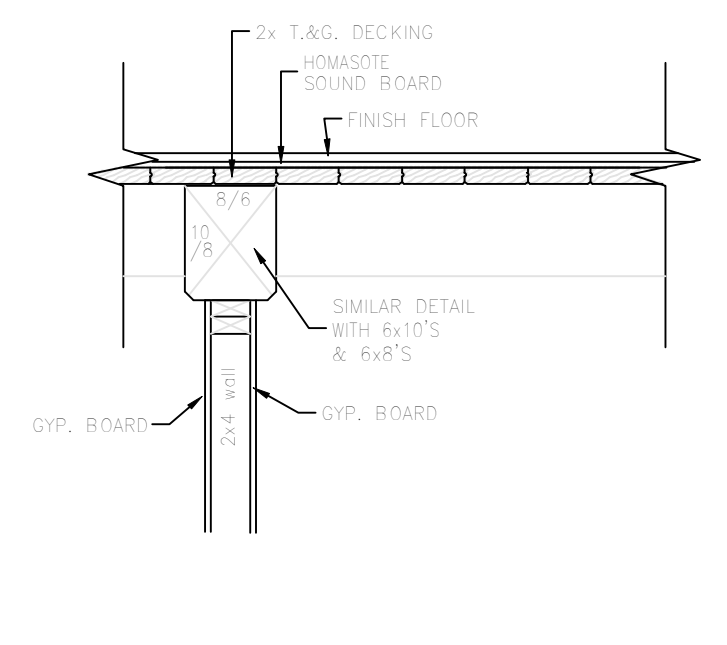
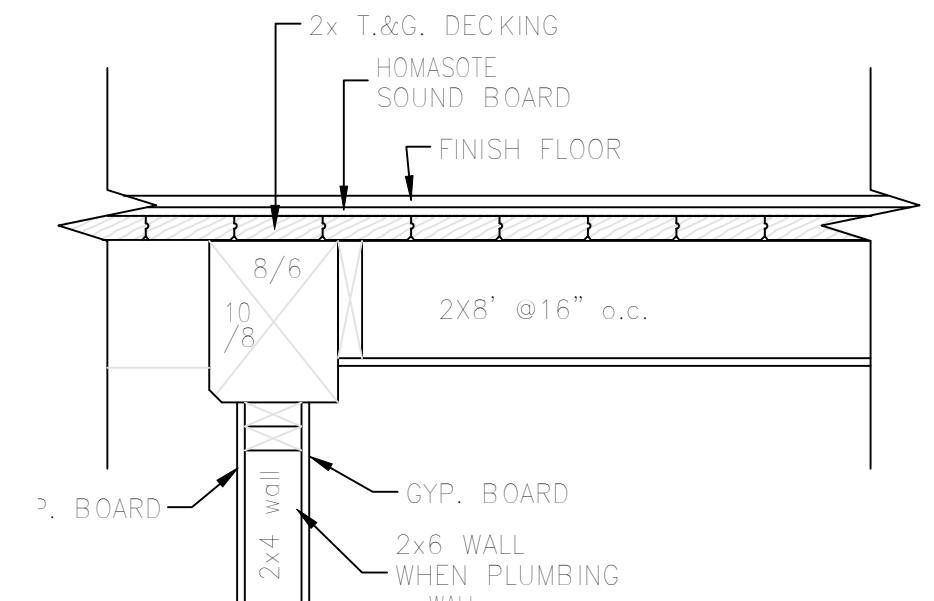


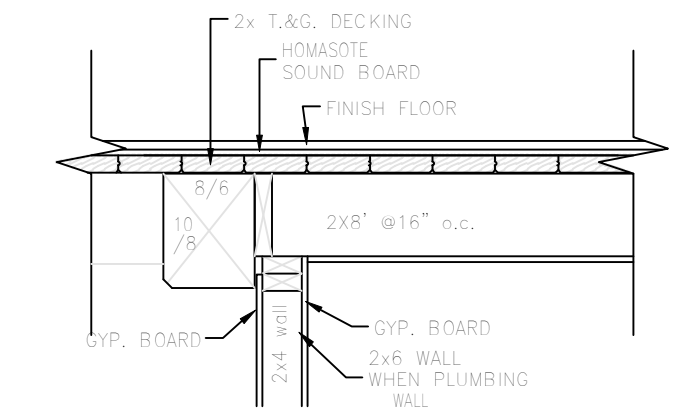
04 MFP
DROP CEILING
SCALE 1"= 1'



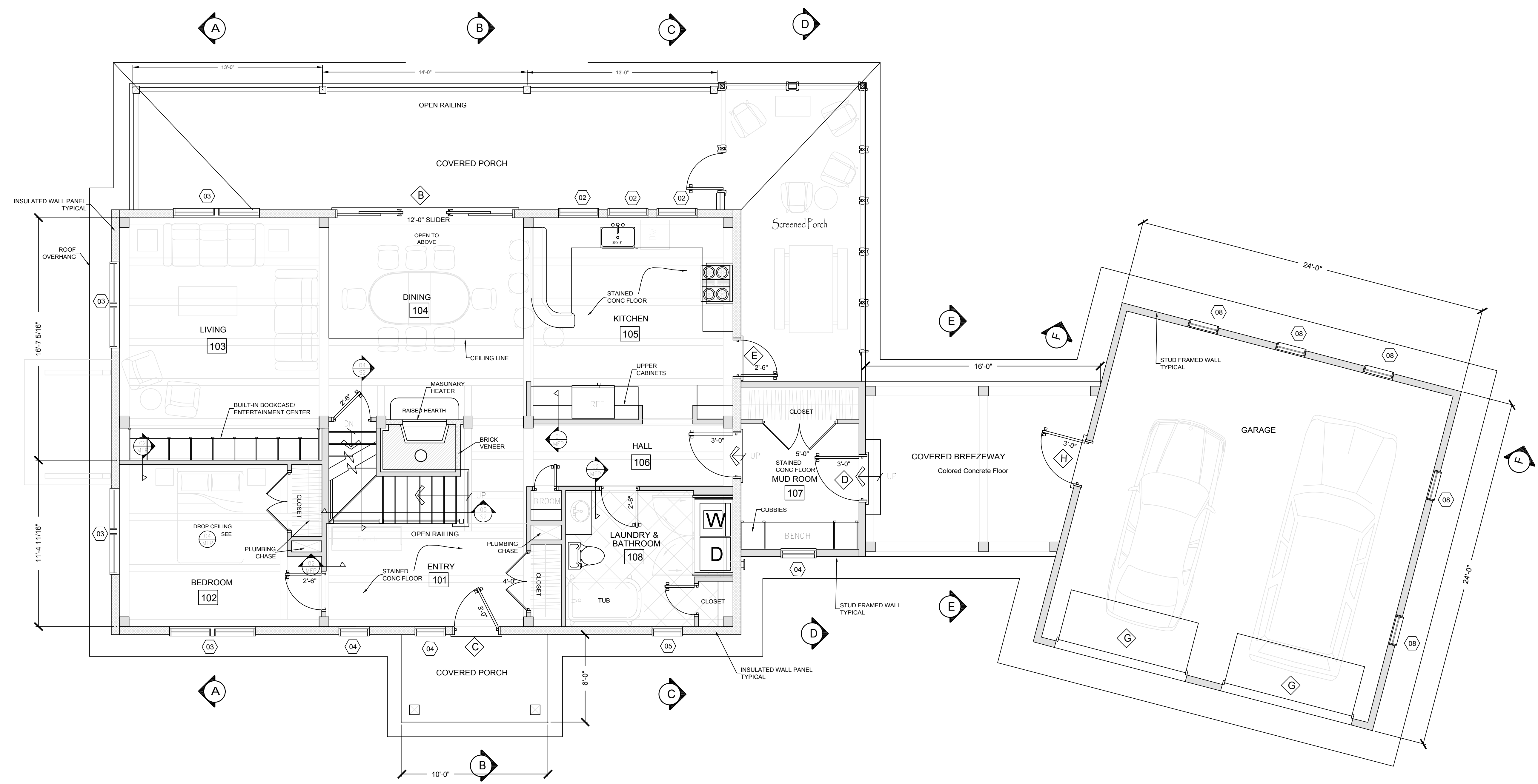
01 MFP
FLOOR/WALL/TIMBER DETAIL
SCALE 1"= 1'



02 MFP
FLOOR/WALL/TIMBER DETAIL
SCALE 1"= 1'



03 MFP
FLOOR/WALL/TIMBER DETAIL
SCALE 1"= 1'



MAIN FLOOR PLAN
SCALE 1/4"= 1'

ALCES POST & BEAM
Design and construction of traditionally joined timber frame structures
P.O. Box 953 Waitsfield, Vermont 05673
Ky. Kofitzsch 802-496-5784

Warren, Vermont

DESIGN DRAFT

sheet #
MFP