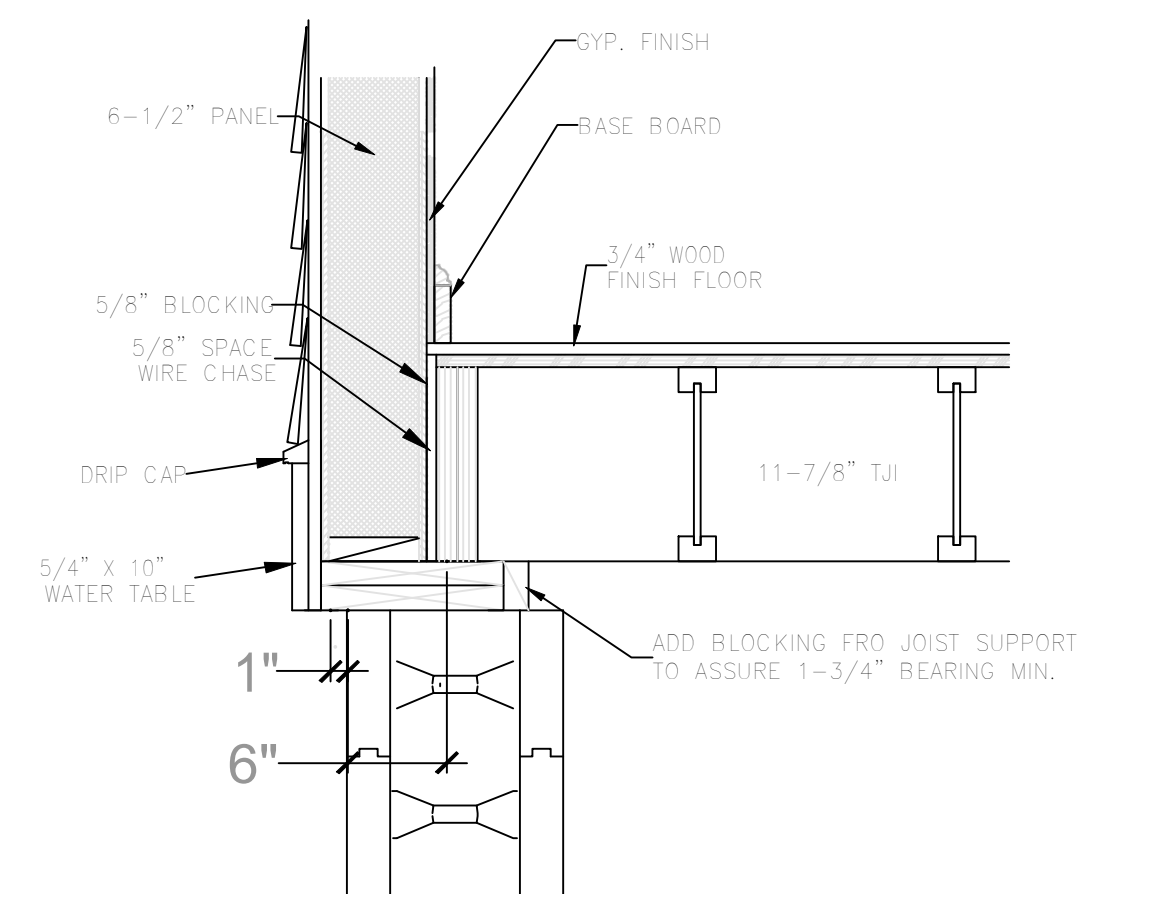
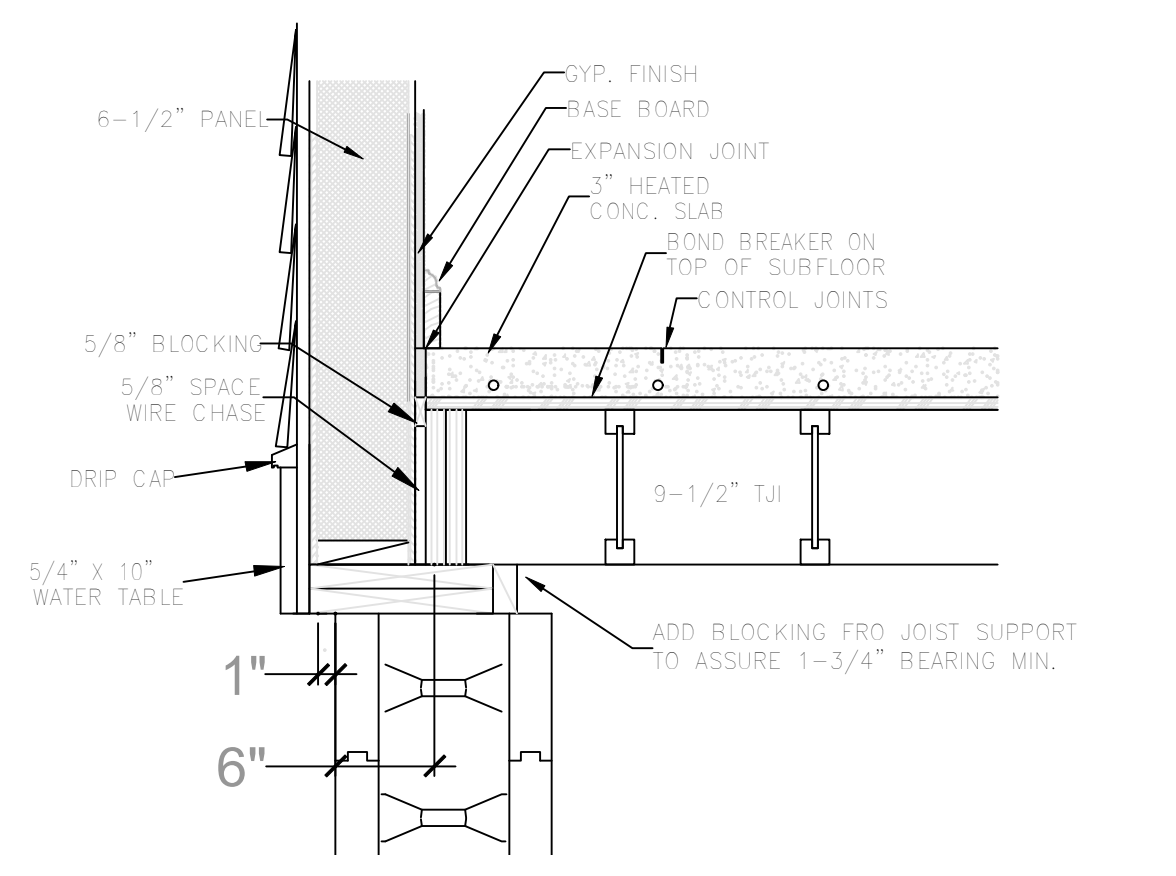


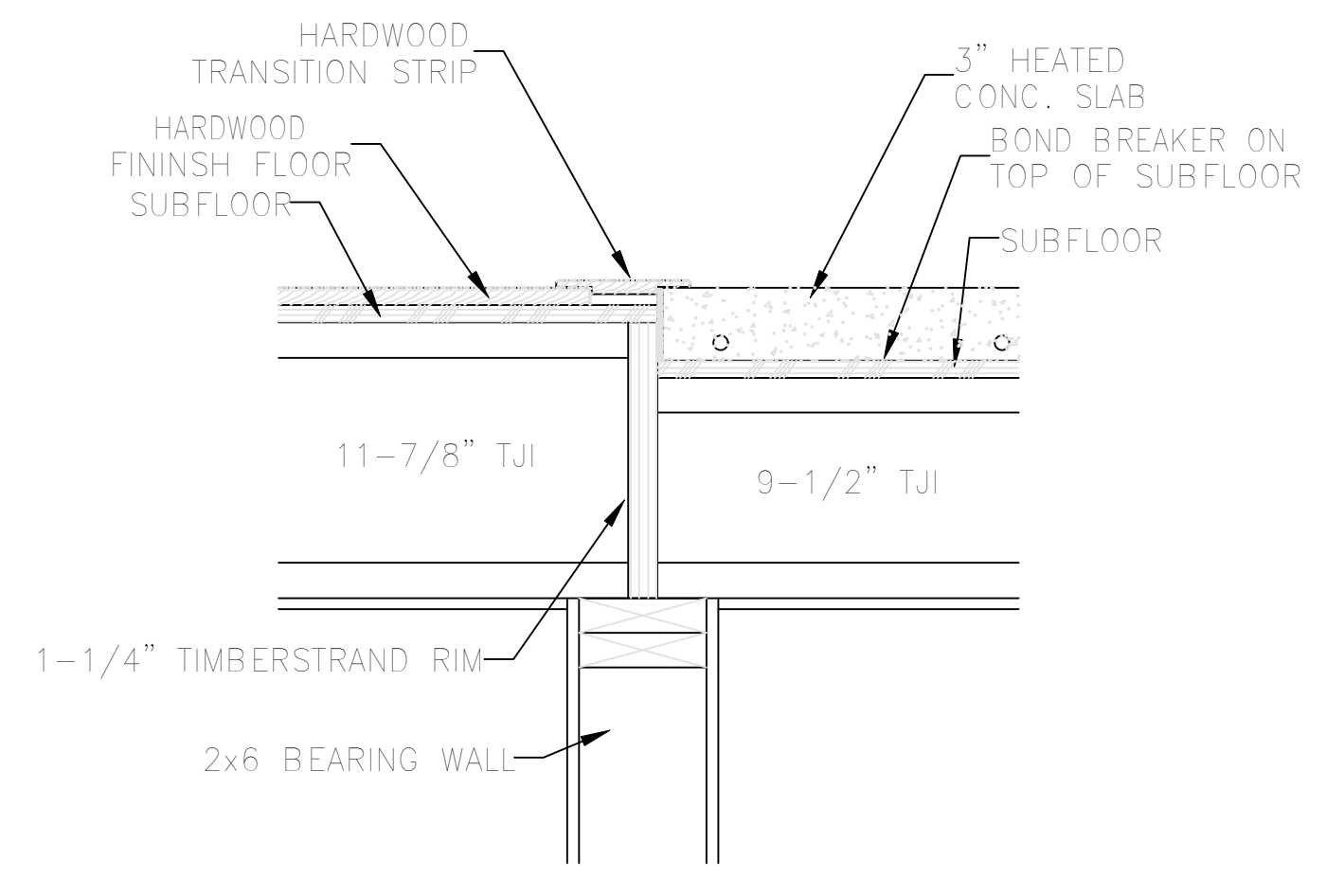
03
FF
WALL/FLOOR FRAMING
SCALE 1"= 1'



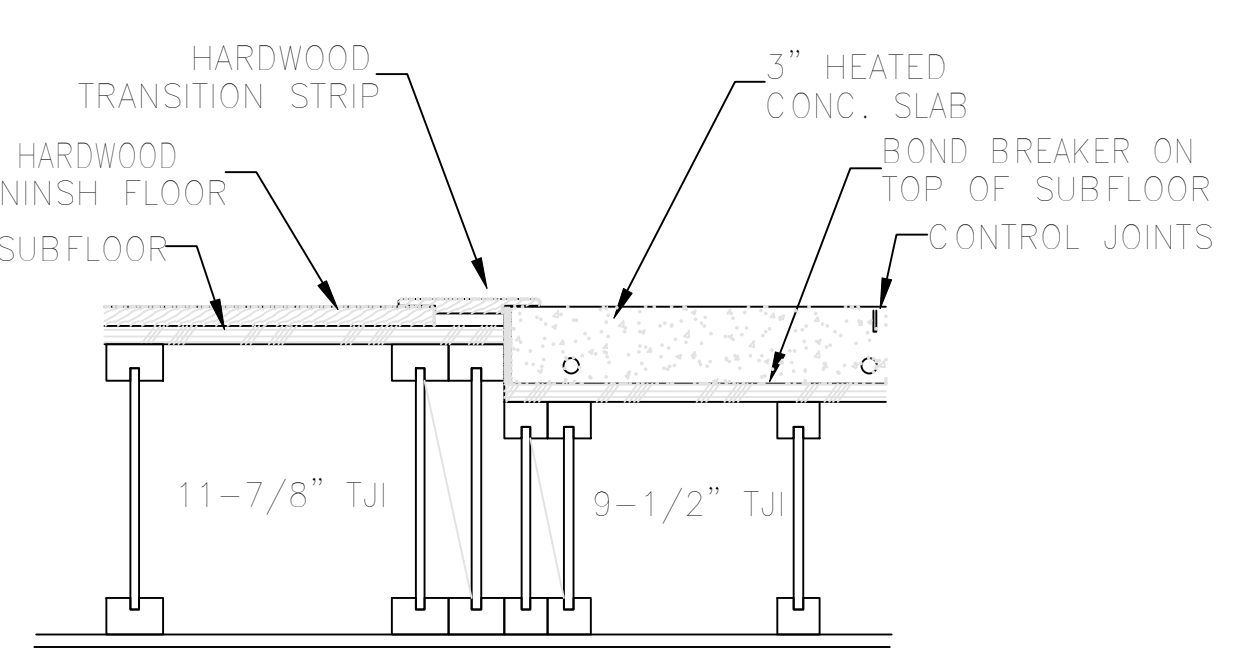
02
FF
WALL/FLOOR FRAMING
SCALE 1"= 1'



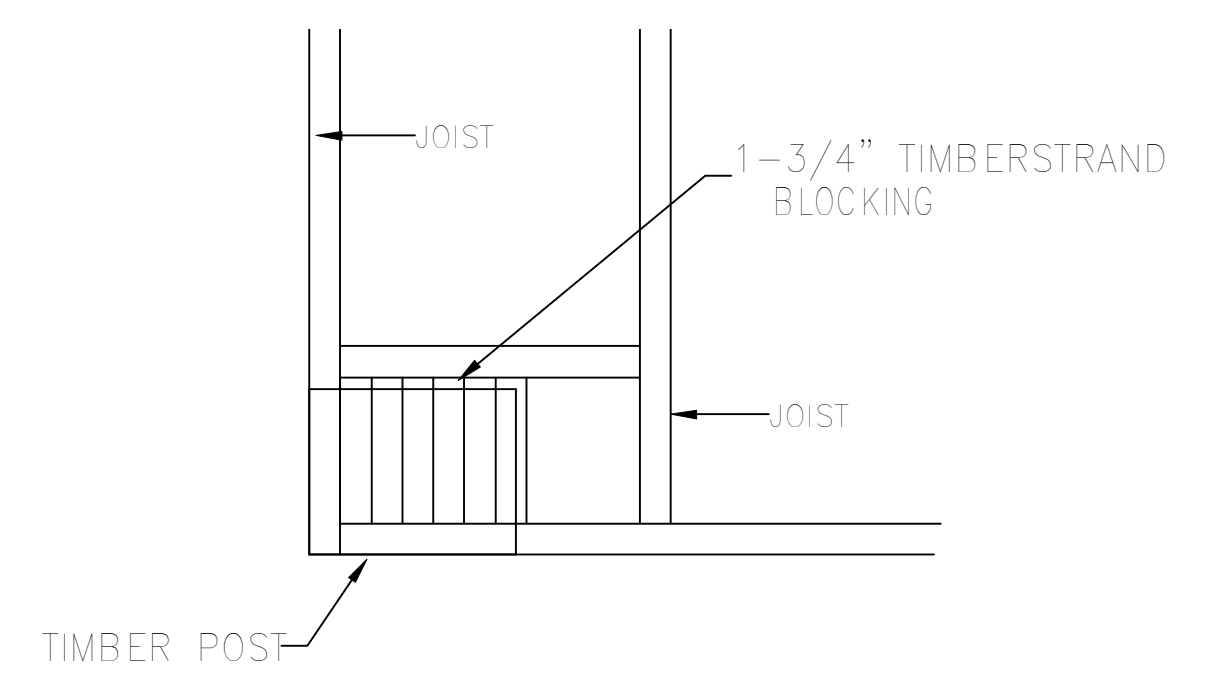
01
FF
WALL/FLOOR FRAMING
SCALE 1"= 1'



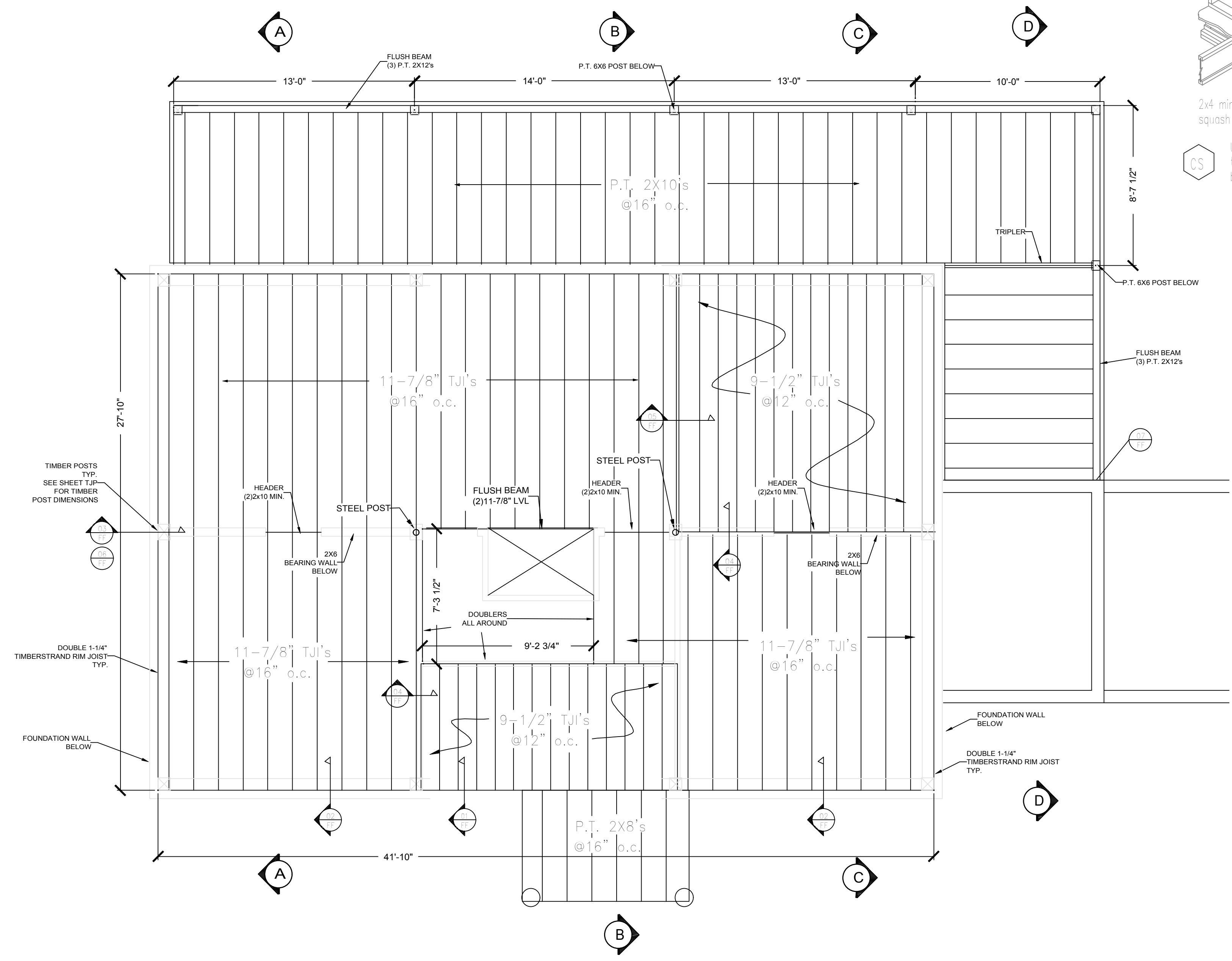
04
FF
FINISH FLOOR TRANSITION
SCALE 1-1/2"= 1'



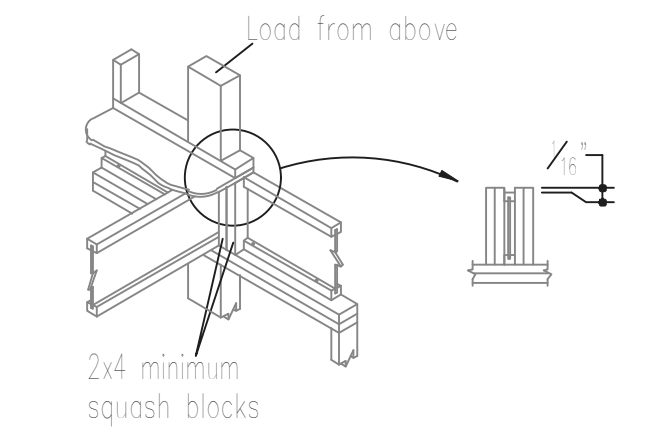
05
FF
FINISH FLOOR TRANSITION
SCALE 1-1/2"= 1'



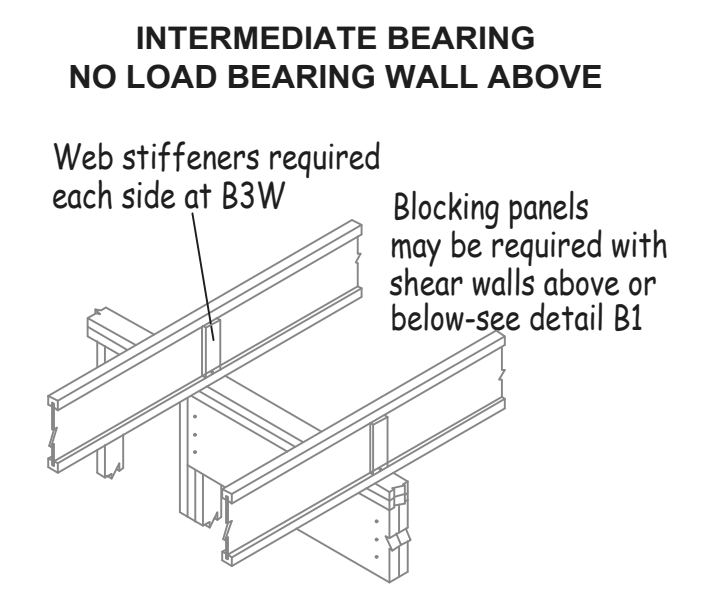
06
FF
TIMBER POST BOLCKING
SCALE 1"= 1'



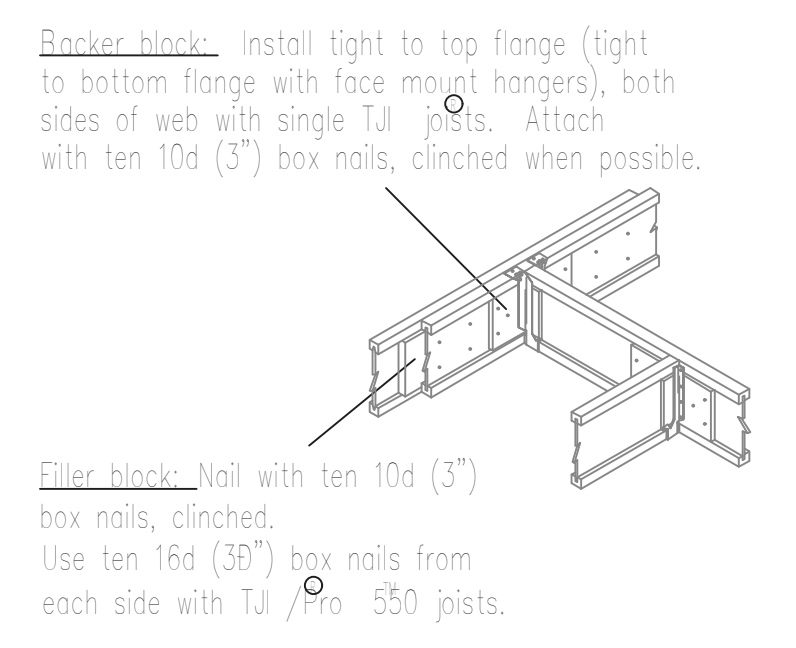
MAIN FLOOR FRAMING PLAN
SCALE 1/4"= 1'



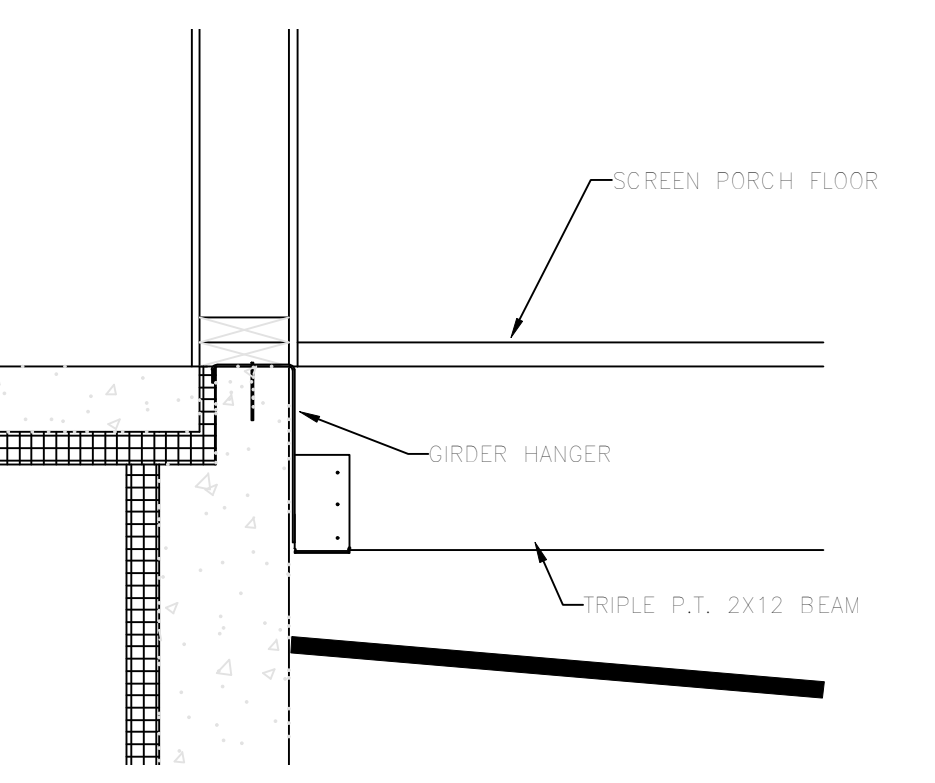
CS
STANDARD TJI DETAILS
SCALE N.T.S.



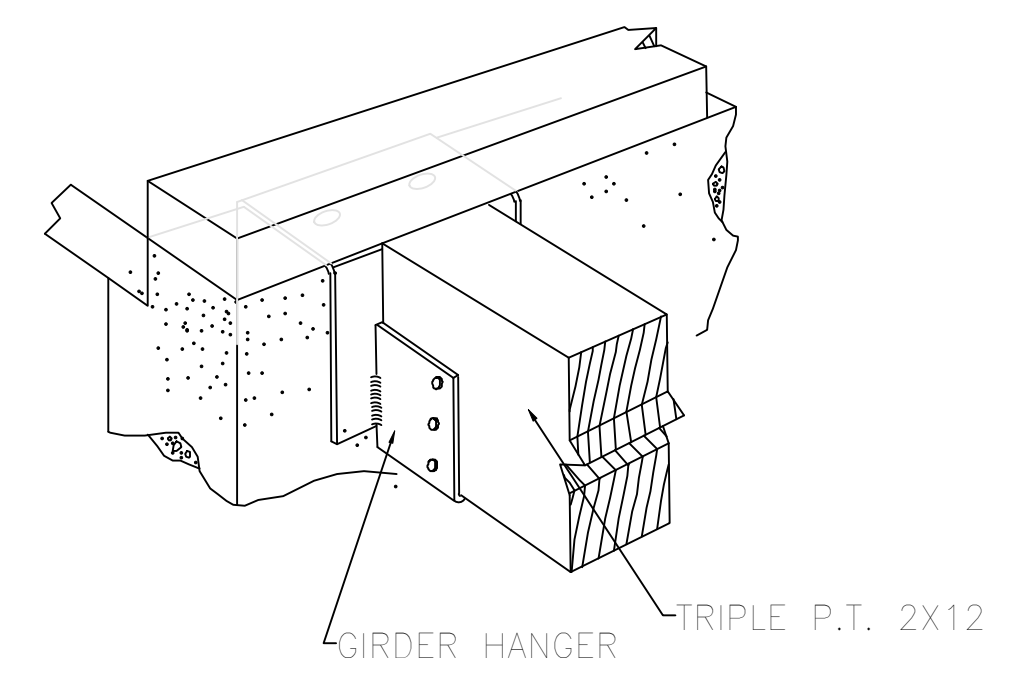
B3 B3W
INTERMEDIATE BEARING
NO LOAD BEARING WALL ABOVE



H2
Backer block: Install tight to top flange (tight to bottom flange with face mount hangers), both sides of web with single TJI joists. Attach with ten 10d (3") box nails, clinched when possible.



07
FF
PORCH BEAM SUPPORT
SCALE 1"= 1'



H2
With top flange hangers, backer block required only for downward factored loads exceeding 395 lbs or for uplift conditions.

ALCES
POST & BEAM
Design and construction of traditionally joined
timber frame structures
P.O. Box 953, Waitsfield, Vermont 05673
Ky. Kofetzsch 802-496-5784

Warren, Vermont

DESIGN DRAFT

sheet #
FF